

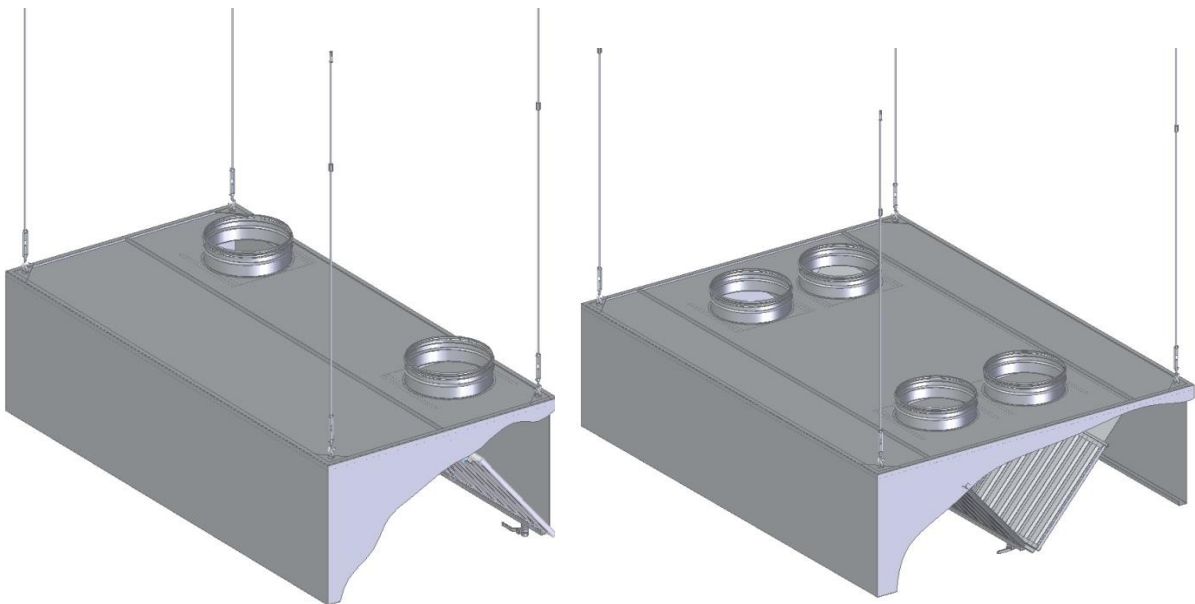


EXHAUST CANOPY

OW01 wall

OW02 central

USER MANUAL



Content

1.	Technical instructions	3
2.	Execution.....	3
3.	Equipment.....	3
4.	Working principles	3
5.	Construction and dimensions.....	5
6.	Installation	10
7.	Operation and cleaning	11
8.	Work safety instructions.....	12
9.	Transport.....	12
10.	Repairs	13
11.	Electrical system	13
12.	Related documents.....	13

Before using the appliance please get acquainted with the present documentation thoroughly (it should be kept for further access).



Producer does not bear responsibility for damages / malfunctions resulting from inappropriate usage or disregarding the documentation.

Failing to abide by the recommendations in the present documentation might influence safe usage of the appliance and leads to guaranty loss.

1. TECHNICAL INSTRUCTIONS

Exhaust kitchen canopy OW01 /OW02 has been designed to remove impurities in the form of smoke, vapour, odours, fumes, and excessive heat produced by kitchen appliances. If the stream of air over the kitchen appliances is not directed and removed, the impurities and the heat spread in the kitchen increase the temperature and the humidity of the air and as a result reduce working comfort. Since kitchen equipment generates large quantities of heat in the kitchens it should be placed under a canopy.

2. EXECUTION

Canopies are made of 1 mm thick stainless steel AISI304 spot welded-welded, and riveted.

Canopies of length up to 2900 mm are made as one segment.

Canopies of length more than 2900 mm are made of two or more segments.

The canopy may be divided into segments/modules according to customer's wish provided the suggested division is in accordance with technological process.

3. EQUIPMENT

Standard canopies are equipped with:

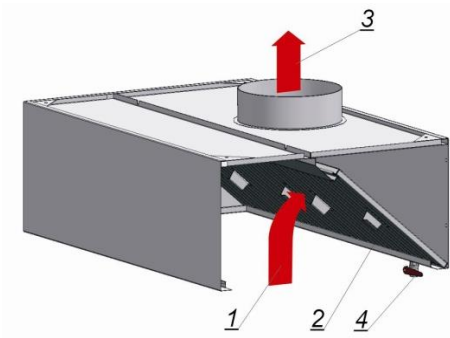
- drain channel system
- drain ball valve 1/2"
- set of labyrinth filters
- threaded hanging rods AW023

- Optional equipment:*
- lighting – suspended to canopy ceiling
- integrated lighting
- spotlights
- mesh, cyclone, labyrinth-mesh, blind filters
- drip tray for condensed impurities
- covers – if the canopy is fixed below the ceiling line
- exhaust fan
- air ducts of untypical dimensions and position
- UV panels
- Ansul fire suppression system

* Configuration depends on many factors and needs to be confirmed in terms of the possibility of combining them and uses.

4. WORKING PRINCIPLES

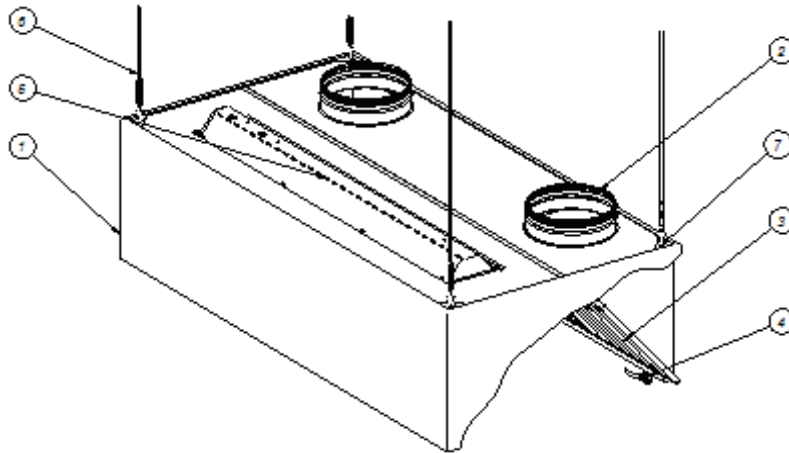
4.1. MECHANICAL FILTRATION



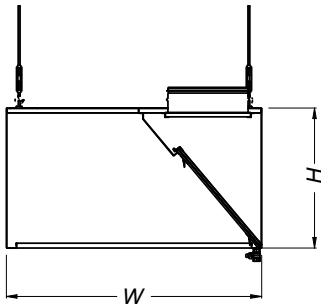
A stream of contaminated air above kitchen appliances (1) flows through the filters (2) and is removed to ventilation channel (3). While the contaminated air flows through filters the impurities and grease particles are separated from the air. The grease particles with other impurities fall to the bottom of draining channel and flows to the drain with ball valve (4) or a drip tray (optional).

5. CONSTRUCTION AND DIMENSIONS

5.1. WALLEXHAUST CANOPY OW01



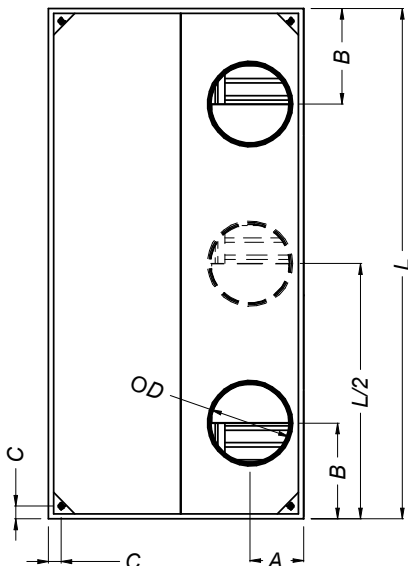
1. Body of the canopy
2. Air duct with throttle
3. Labyrinth filters
4. Drain with ball valve or drip tray (optional)
5. Lighting (optional)
6. Hanging rod
7. Mounting bracket



Dimensions

L	1000–2900 [mm]
H	400, 550 [mm]
W	700 – 1400 [mm]
∅D	315 [mm]
C	50 [mm]

Canopies of length up to 2900 mm are made as one -segment. Canopies of length over 2900 mm are assembled of two or more individual segments.



Position of connections

L [mm]	A [mm]	B [mm]	Number of air ducts
1000 – 1500	210	L/2	1
1600 – 2000	210	375	2
2100 – 2900	210	500	2

It is possible to Mount an additional fan to canopies of 550 mm height, in this case the dimension A is 270 mm.

Wall Exhaust canopy - approximate weight [kg]

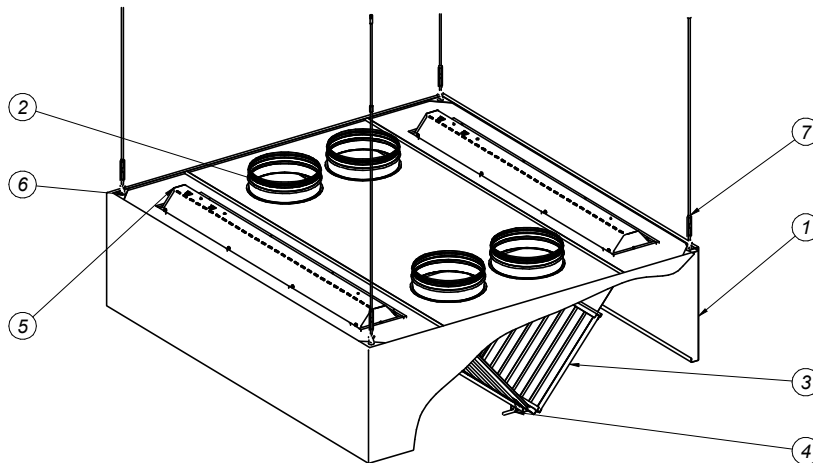
H [mm] = 400 (550)

length [mm]	width [mm]							
	700	800	900	1000	1100	1200	1300	1400
1000	30 (35)	32 (37)	33 (39)	35 (40)	36 (42)	38 (44)	40 (46)	41 (48)
1100	32 (37)	34 (39)	35 (41)	37 (42)	38 (44)	40 (46)	42 (48)	43 (50)
1200	34 (39)	36 (41)	37 (43)	39 (44)	40 (46)	42 (48)	44 (50)	45 (52)
1300	36 (41)	38 (43)	39 (45)	41 (46)	42 (48)	44 (50)	46 (52)	47 (54)
1400	38 (43)	40 (45)	41 (47)	43 (48)	44 (50)	46 (52)	48 (54)	49 (56)
1500	41 (47)	43 (49)	45 (52)	47 (54)	49 (56)	51 (59)	53 (61)	55 (63)
1600	43 (50)	45 (52)	47 (54)	49 (57)	52 (59)	54 (62)	56 (64)	58 (66)
1700	45 (52)	47 (54)	49 (56)	51 (59)	54 (61)	56 (64)	58 (66)	60 (68)
1800	47 (54)	49 (56)	51 (58)	53 (61)	56 (64)	58 (66)	60 (68)	62 (70)
1900	49 (56)	51 (58)	53 (60)	55 (63)	58 (66)	60 (68)	62 (70)	64 (72)
2000	52 (61)	55 (63)	57 (66)	60 (68)	62 (71)	64 (74)	67 (76)	69 (79)
2100	54 (63)	57 (65)	59 (68)	62 (70)	64 (73)	66 (76)	69 (78)	71 (81)
2200	56 (65)	59 (67)	61 (70)	64 (72)	66 (75)	68 (78)	74 (80)	73 (83)
2300	58 (67)	61 (69)	63 (72)	66 (74)	68 (77)	70 (80)	76 (82)	75 (85)
2400	60 (69)	63 (71)	65 (74)	68 (76)	70 (79)	72 (82)	78 (84)	77 (87)
2500	64 (74)	67 (77)	70 (80)	73 (83)	75 (86)	78 (89)	81 (92)	84 (95)
2600	66 (76)	69 (79)	72 (82)	75 (85)	77 (88)	80 (91)	83 (94)	86 (97)
2700	68 (78)	71 (81)	74 (84)	77 (87)	79 (90)	82 (93)	85 (96)	88 (99)
2800	70 (80)	73 (83)	76 (86)	79 (89)	81 (92)	84 (95)	87 (98)	90 (101)
2900	72 (82)	75 (85)	78 (88)	81 (91)	83 (94)	86 (97)	89 (100)	92 (103)

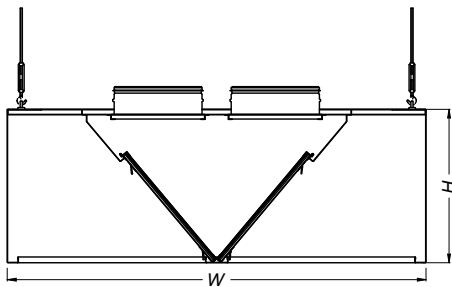
Length [mm]	Number of filters		Exhaust air volume m ³ /h		Number of air ducts		Number of mounting points
	500x500	300x500	min.	max.	Supply air ducts	Exhaust air ducts	
1000	2	0	600	1400	-	1	4
1100	1	2	600	1400	-	1	4
1200	0	4	600	1400	-	1	4
1300	2	1	600	1400	-	1	4
1400	1	3	600	1400	-	1	4
1500	3	0	900	2100	-	1	4
1600	2	2	900	2100	-	2	4
1700	1	4	900	2100	-	2	4
1800	3	1	900	2100	-	2	4
1900	2	3	900	2100	-	2	4
2000	4	0	1200	2800	-	2	4
2100	3	2	1200	2800	-	2	4
2200	2	4	1200	2800	-	2	4
2300	4	1	1200	2800	-	2	4
2400	3	3	1200	2800	-	2	4
2500	5	0	1500	3500	-	2	4
2600	4	2	1500	3500	-	2	4
2700	3	4	1500	3500	-	2	4
2800	5	1	1500	3500	-	2	4

2900	4	3	1500	3500	-	2	4
------	---	---	------	------	---	---	---

5.2. CENTRAL EXHAUST CANOPY OW02



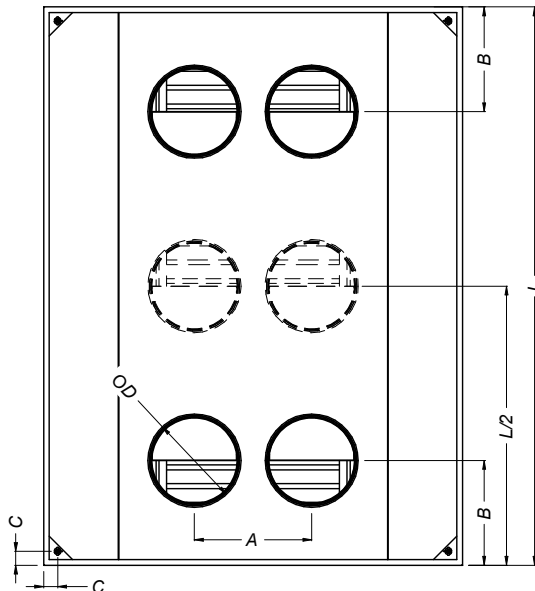
1. Body of the canopy
2. Air duct with throttle
3. Filters (labyrinth, mesh, cyclone and labyrinth-mesh)
4. Drain with ball valve or drip tray (optional)
5. Lighting (optional)
Integrated lighting may be mounted to the canopies 1600 mm minimum wide
6. Mounting bracket
7. Hanging rod



Dimensions

L	1000-2900 [mm]
H	400, 550 [mm]
W	1500 - 2500 [mm]
·D	315 [mm]
C	50 [mm]

Canopies of length up to 2900 mm are made as one - segment. Canopies of length over 2900 mm are assembled of two or more individual segments.



Position of connections

L [mm]	A [mm]	B [mm]	Number of exhaust air ducts
1000 - 1500	420	L/2	2
1600 - 2000	420	375	4
2100 - 2900	420	500	4

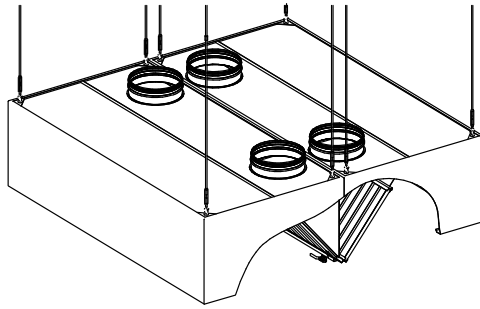
Central exhaust canopy – approximate weight [kg]

H [mm] = 400 (550)

length [mm]	width [mm]						
	1500	1600	1800	2000	2200	2400	2500
1000	54 (62)	56 (64)	59 (68)	62 (71)	66 (75)	69 (79)	71 (81)
1100	57 (65)	59 (67)	62 (71)	66 (75)	69 (79)	72 (83)	74 (84)
1200	60 (68)	61 (70)	65 (74)	69 (78)	72 (82)	76 (86)	77 (88)
1300	62 (71)	64 (73)	68 (78)	72 (82)	75 (85)	79 (90)	81 (92)
1400	65 (74)	67 (76)	71 (81)	75 (85)	79 (90)	82 (94)	84 (96)
1500	75 (84)	77 (87)	81 (91)	85 (96)	89 (100)	93 (105)	95 (107)
1600	78 (88)	80 (91)	85 (95)	89 (100)	93 (105)	97 (109)	99 (112)
1700	81 (91)	83 (94)	87 (99)	91 (103)	96 (107)	100 (113)	103 (116)
1800	84 (94)	86 (97)	90 (102)	95 (107)	99 (112)	104 (117)	106 (119)
1900	86 (97)	89 (100)	93 (105)	98 (110)	103 (116)	107 (121)	110 (123)
2000	97 (109)	99 (111)	104 (117)	109 (120)	114 (127)	119 (132)	121 (135)
2100	99 (112)	102 (114)	107 (120)	112 (125)	117 (131)	122 (136)	124 (139)
2200	102 (115)	105 (117)	110 (123)	115 (129)	120 (134)	125 (140)	128 (143)
2300	115 (118)	107 (121)	113 (126)	118 (132)	123 (138)	129 (144)	131 (147)
2400	107 (121)	112 (124)	116 (130)	121 (136)	127 (142)	132 (147)	135 (150)
2500	116 (130)	119 (133)	125 (139)	130 (145)	136 (151)	141 (157)	144 (160)
2600	119 (133)	122 (136)	127 (142)	133 (148)	139 (155)	145 (161)	148 (164)
2700	121 (136)	124 (139)	130 (145)	136 (152)	142 (158)	148 (165)	151 (168)
2800	124 (139)	127 (142)	133 (149)	139 (155)	145 (162)	152 (169)	155 (172)
2900	127 (142)	130 (145)	136 (152)	142 (159)	149 (166)	155 (172)	158 (176)

length [mm]	Number of filters		Exhaust air volume m ³ /h		Number of air ducts		Number of mounting points
	500x500	300x500	min.	max.	supply	exhaust	
1000	4	0	1200	2800	-	2	4
1100	2	4	1200	2800	-	2	4
1200	0	8	1200	2800	-	2	4
1300	4	2	1200	2800	-	2	4
1400	2	6	1200	2800	-	2	4
1500	6	0	1800	4200	-	2	4
1600	4	4	1800	4200	-	4	4
1700	2	8	1800	4200	-	4	4
1800	6	2	1800	4200	-	4	4
1900	4	6	1800	4200	-	4	4
2000	8	0	2400	5600	-	4	4
2100	6	4	2400	5600	-	4	4
2200	4	8	2400	5600	-	4	4
2300	8	2	2400	5600	-	4	4
2400	6	6	2400	5600	-	4	4
2500	10	0	3000	7000	-	4	4
2600	8	4	3000	7000	-	4	4
2700	6	8	3000	7000	-	4	4
2800	10	2	3000	7000	-	4	4
2900	8	6	3000	7000	-	4	4

Central canopy may be made as multi-section combined of e.g. two wall canopies.



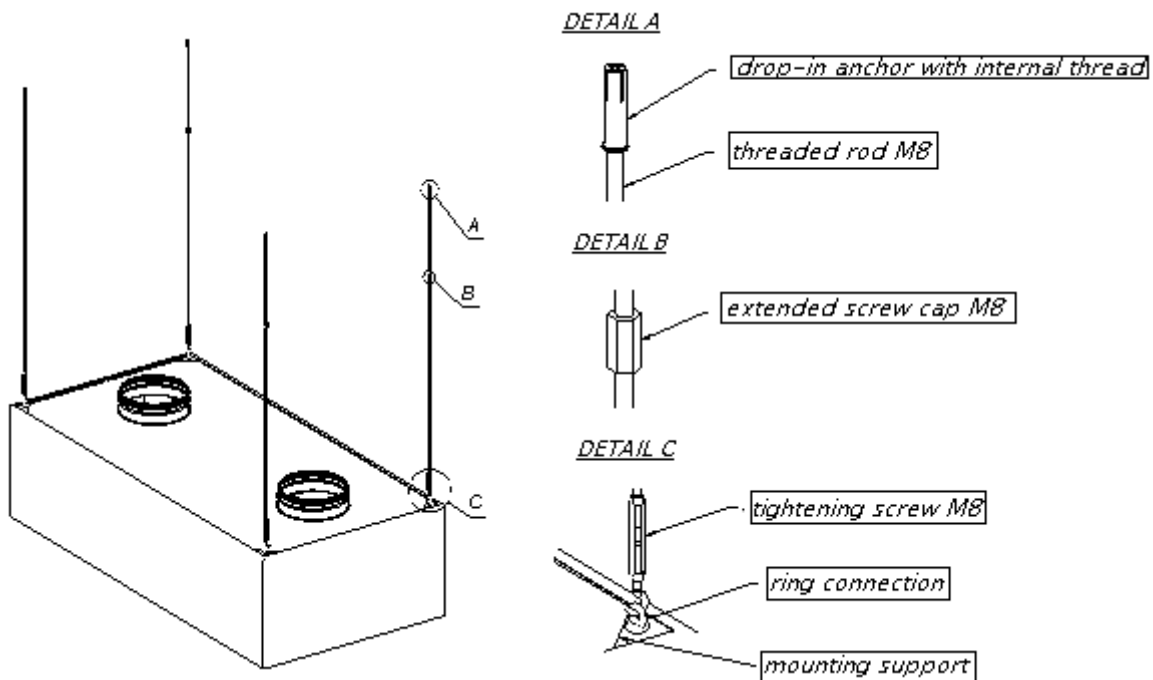
If the buyer does not provide information about location, number and size of air ducts, the canopy is equipped in accordance with the guidelines provided in the above figures.

Location of air ducts applies to canopies without a fan. Regulating throttles are attached to air ducts, which allows air flow control in the range of 50–100 %.

6. INSTALLATION

Exhaust canopies should be suspended to the ceiling with hanging rods.

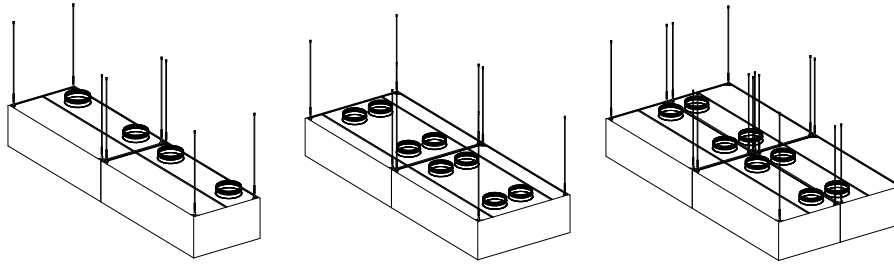
The standard hanging rod consists of tightening screw ended with M8 2000 mm long threaded hook. In case where it is necessary to use longer hanging rods apply additional threaded rods assembled with extended screw cap M8 threaded rods should be installed in the ceiling with anchors.



Due to efficiency and ergonomics, it is recommended to install exhaust canopies at height of 2000–2100 mm from the floor.

Properly designed and installed canopy should extend at least 250 mm beyond kitchen units beneath it. If the appliance standing under the canopy has hinged door, the canopy protrusion beyond the device should be at least 400 mm from the door.

If the canopy consists of several modules, they should be suspended, levelled and then fastened to each other by means of screws..



Then, one should:

- put filters into place,
- connect to power supply (if there is lighting and/or fan),
- connect the canopy to exhaust channels,
- install optional equipment: UV panels, Ansul system etc. (if included)

Manufacturer does not bear any responsibility for damages resulting from inappropriate installation, thus installation should be done by trained professionals.

It is recommended not to remove protective film until the entire installation is completed and the system is ready for operation.

7. OPERATION AND CLEANING

Daily service of the canopy is limited to proper operation and cleaning.

Therefore, one shall:

- remove accumulated condensate by opening the drain valve ½" daily
- clean the casing and baffles of the canopy (filters)
- clean lighting (according to separate user manual)

7.1. CLEANING AND MAINTENANCE OF FILTERS

Dirty filters impair the efficiency of the canopy as well as exhaust installation. Filters shall be washed and regularly cleaned – every 2 days. If the filters are heavily soiled, we recommend washing them every day. Filters may be washed in dishwashers. Failing to wash the filters may lead to soiling the lighting (if included) and UV lighting tubes (if included) and to fire risk.

Dirty filters may make also filtering system, ventilation ducts and the central part.

The UV lighting tubes shall be switched off while the filters are being cleaned. The construction of the canopy makes irradiation impossible while filters cleaning. When the first filter is removed for cleaning the UV lighting is automatically switched off. Inserting cleaned filters shall be done in reverse order than removing. Insert filters starting from the right side of the canopy and slide them to the left onto their place.

The cleaning instructions of the optional equipment (lighting, UV filtration etc.) are described in a separate user manual.



Filters shall be washed regularly – every 2 days. We recommend cleaning the filters every day if they are heavily soiled.

7.2. CLEANING OF THE CASING



It is not allowed to clean the canopy using abrasive, corrosive or based on chlorine agents that could scratch or even damage the surface. In case of contact above agents with stainless steel surface wipe it immediately and thoroughly wash it with water and detergent solution.

Cleaning instructions:

1. disconnect the device from the mains,
2. wash thoroughly with warm water and cleaning detergent, wipe dry with a clean cloth.
3. to clean stainless steel surfaces use preparation for this type of surface

8. WORK SAFETY INSTRUCTIONS

Proper exploitation of the appliance is of key importance for its durability and significantly affects its reliability. The following instructions will help keeping the appliance in appropriate condition for many years: The employees shall be acquainted with regulations related to usage of electric appliances, work safety, first aid in emergency, fire safety and practical rules related to proper usage.

In addition:

1. It is forbidden to connect the appliance to the mains, that was not previously checked for proper shock protection.
2. It is forbidden to wash, clean, and repair any device connected to the mains.
3. All repairs shall be done only by authorized persons. Use only original parts or recommended by the producer.
4. The UV lighting tubes (if included) shall be switched off while the filters are being cleaned.
5. Producer does not bear responsibility for damages/ breakdowns which result from improper usage of the appliance or disregarding this documentation

9. TRANSPORT

10. The appliance leaves producer warehouse properly packed.
11. The appliance should be transported in the position of working.
12. Transport should be done using covered means of transport.
13. The equipment should be protected against moving, strong shocks and mechanical damage..
14. Loading and carrying the equipment (or any other manipulation of goods) should be done using adequate devices.
15. After delivery of the appliance check whether the delivered product has got any visible signs of mechanical damage.
16. Any damage noticed should be immediately reported to the forwarder according to forwarder procedure. Write down all noticed damage on the bill of lading.
17. Gort does not bear any responsibility for damage due to improper storage outside the company and transporting to the final user by any other company.

10. REPAIRS



All repairs should be done by the authorized service.

In case of device failure, please contact with Gort Export Department: export@gort.pl

Any malfunctions should be reported to the Seller in writing. The report should contain the appliance's type/model, it's serial number and the description of malfunction as well as the name and address of the site where the appliance is installed. The contact details of reporting person should also be attached. Manufacturer reserves the right to make changes and improvements in the appliance and it's technical specification without notice.

It is recommended to make a periodical check-up once a year. This check-up includes activities connected with defining the level of wear and tear or damage of certain elements.

11. ELECTRICAL SYSTEM

In standard exhaust canopies OW01 i OW02 are produced without lighting installation and are not equipped with exhaust fans.

Upon customer's request the canopy may be equipped with:

- lighting luminaire suspended to canopy ceiling
- integrated lighting
- spotlights
- additional fan
- hermetic switch

Details related to electrical equipment are included in a separate user manual.

For any additional information, please contact Gort.

12. RELATED DOCUMENTS

- Electrical installations in canopies
- Ansul fire suppression system
- UV installations in canopies
- Lighting
- Fans

Copyrights

Gort has rights to change any information included in this document without informing the user. Any part of this document cannot be reproduced or published in any form or by any means without the prior written permission of GORT as well as legal owner of the document.

Copyrights © 2018 reserved.



GORT

ul. Produkcyjna 110,
15-680 Białystok
www.gort.pl